

MANUAL 2020

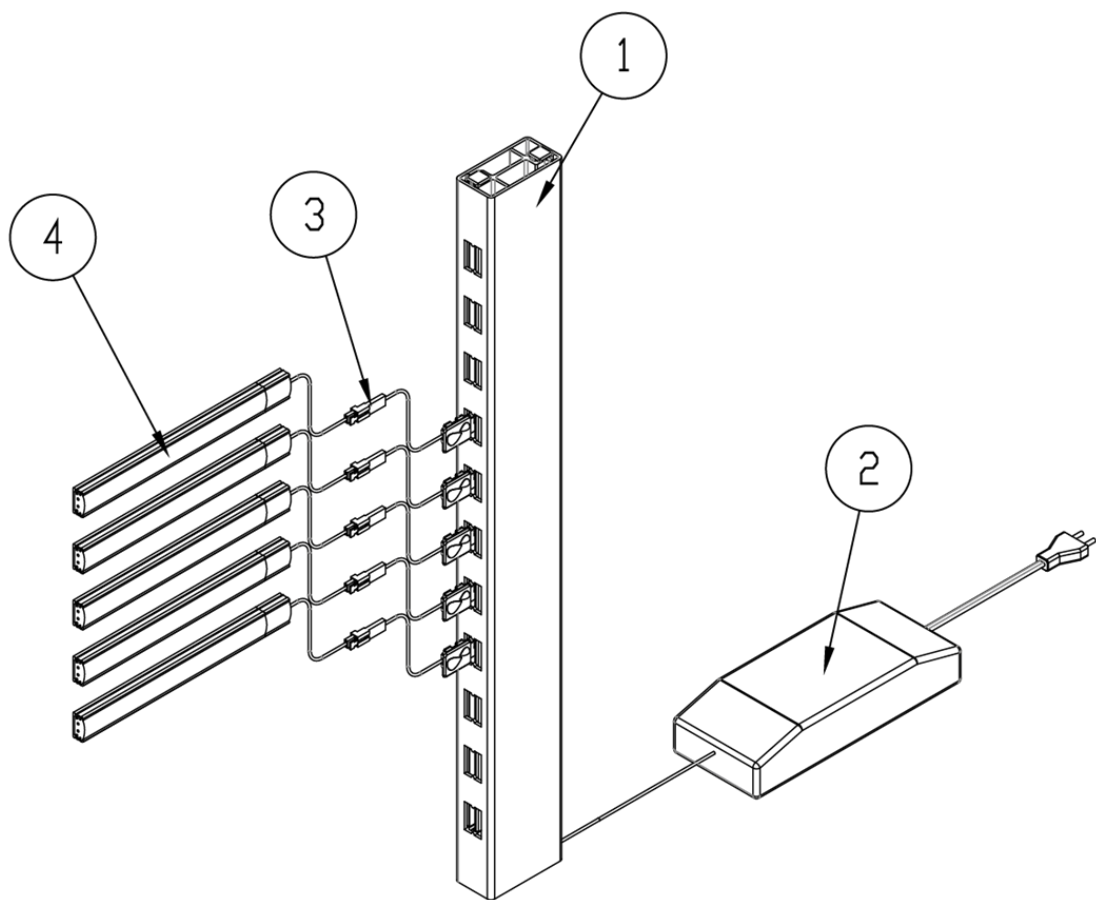
POWER TUBE SYSTEM



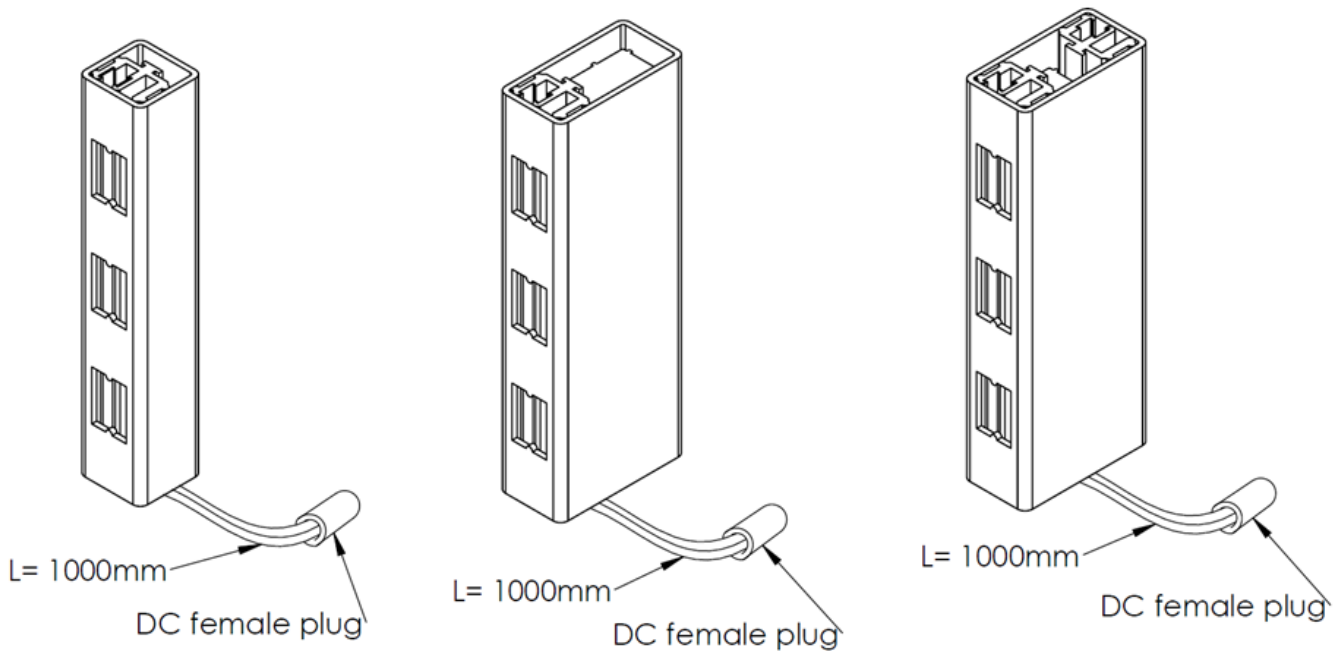
LiGH T UP YOUR STORE.



DIAGRAM

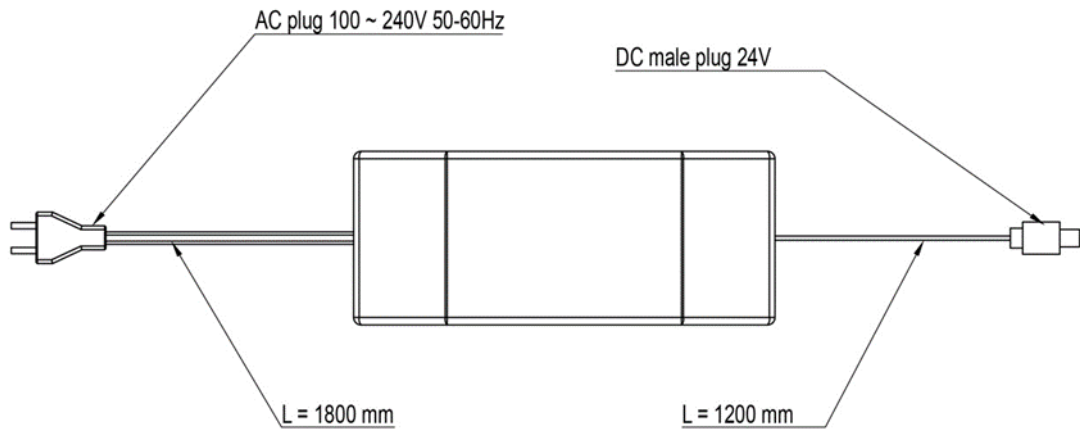


① Power Tube



	Regular Size	Customized Range
Tube Size	30 x 30 / 30 x 60	Depend on drawing
Length	1200 / 1500 / 2000 mm	Range: 300~3600mm
Slot Pitch	35mm / 40mm	35mm~
Slot Size	14 x 20mm	H20 min.
Loading	100kg / per meter	
Bracket Thickness	3mm	
Features	Most economical system. Attach to Wall directly without wall structure consideration.	

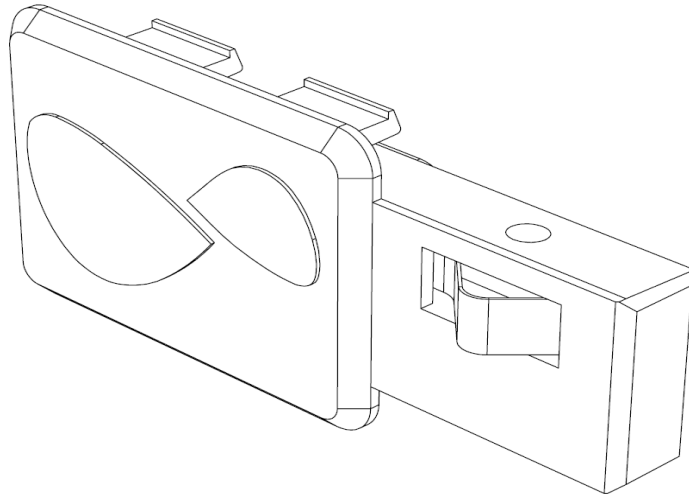
② Power Plug



Input Voltage	100-240V
Output Voltage	24V DC
Frequency	50-60Hz
Rated Current	Max. 4A
Rated Power	96W
Adapt to both single slot and double slot	



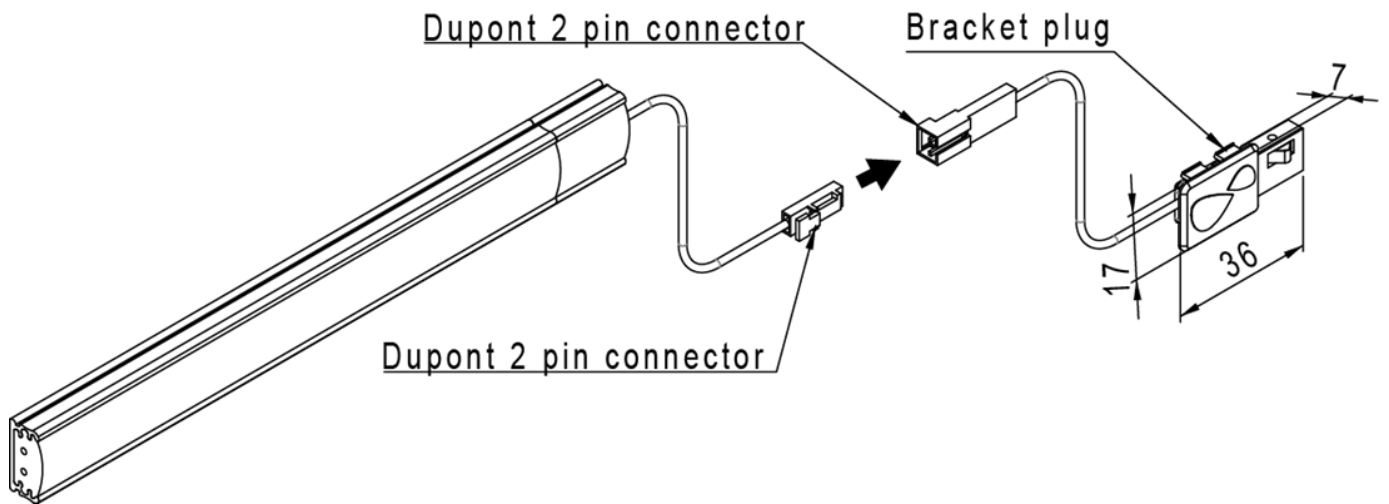
③ Bracket Plug



Voltage	24V
Rated Current	Max. 2A
Material	Plastic / Copper
If multiple plugs and appliances will be used, the total power consumption may not exceed the specified nominal current.	



④ LED Strip



Voltage	24V DC
LED Length	15cm / 30cm / 100cm for UL
Rated Power	15cm: 3W / 30cm:5W / 100cm:15W
Color Rendering	RA>92
Color Temperature	2700K / 3000K / 4000K / 6000K
UL Certification. CE Certification is available on request	

